

CATEGORY	Security Seals and Locks
PRODUCT NAME	Courier Box Seals - For Courier / Tote Boxes
STOCK VARIATIONS	SINGLE NUMBERED SEALS, PAIR OF NUMBERED SEALS
STOCK AVAILABLE COLOURS	WHITE
PRODUCT CODE	COURIERBOXSEAL MKII, COURIERBOXTWIN MKII

DESCRIPTION
The courier box security seals are designed to secure specific makes and models of plastic containers and courier boxes.

KEY FEATURES

- Faster application comparing to a strap seal, therefore increase efficiency and reduce costs
- No tools required for removal
- Easily sealed by one hand
- More cost effective than conventional strap seals
- User friendly and easy removal – requires no tool

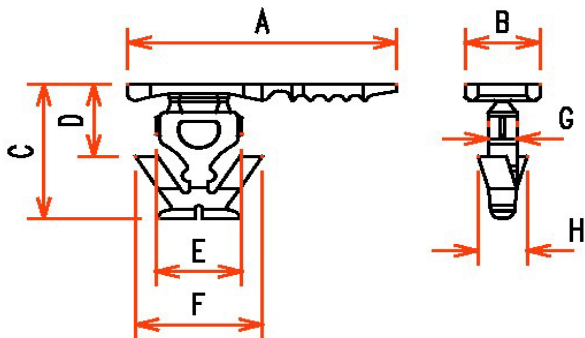
Applications

- Retail and chain stores
- Records management and archive storage
- Merchandise storage



DIMENSIONS

Model Name	Model Dimension (mm)							
	A	B	C	D	E	F	G	H
Courier box seal	36	10	20	10.7	11.5	17	3.8	6.6



SPECIFICATION

- Material - Polypropylene
- Other colours available on special order

MINIMUM ORDER QUANTITY
1 box of 1000 seals (500 pairs of seals)

CONTACT US

UK Email - info@versapak.co.uk
UK Website - www.versapak.co.uk

Rest of the World Email - info@versapakinternational.com
Rest of the World Website - www.versapakinternational.com

